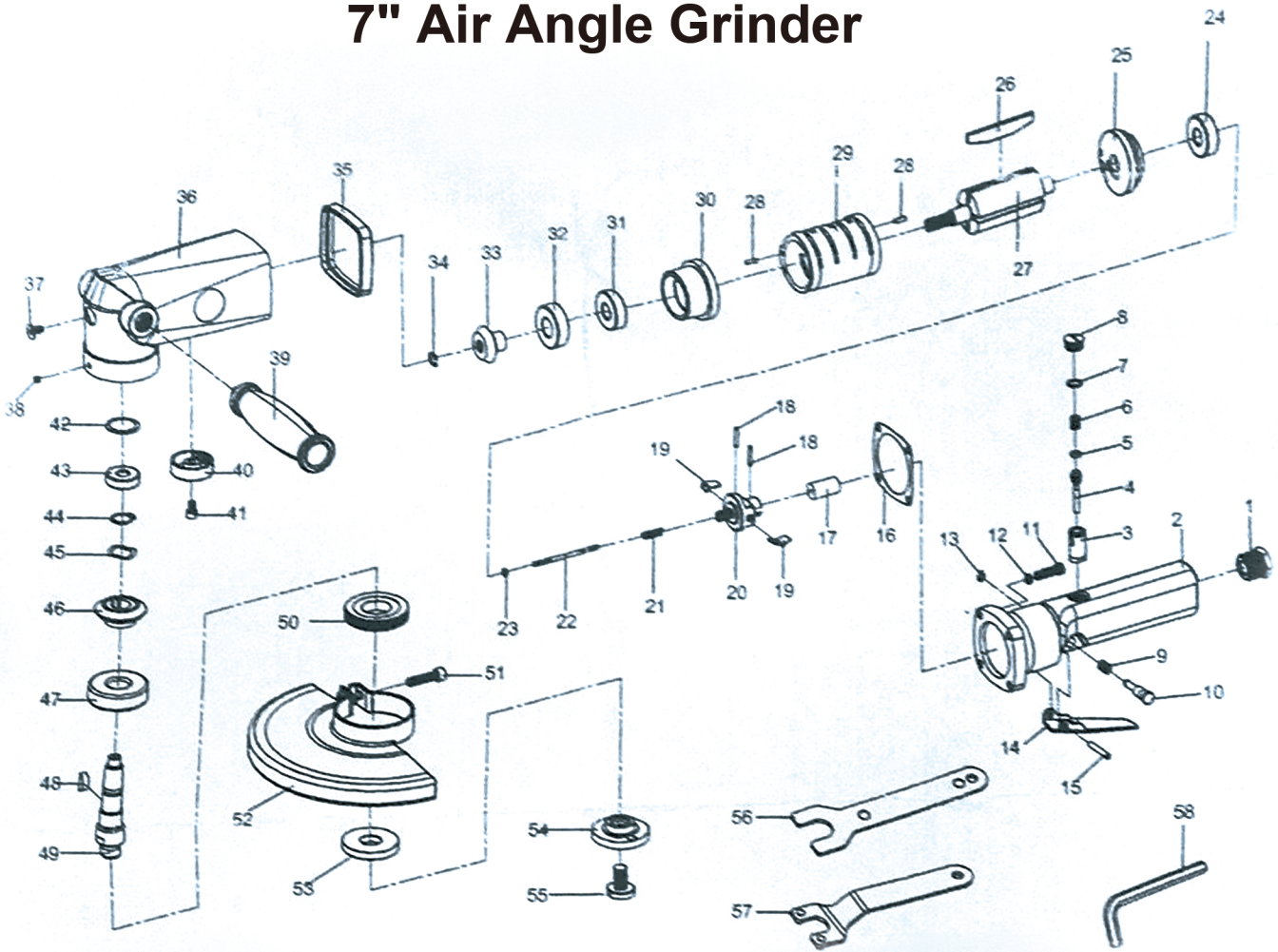


# SPARE PARTS LIST

## 7" Air Angle Grinder



Part No.	Description	Qty.
1	Air Inlet	1
2	Valve Body	1
3	Bush	1
4	Pin	1
5	O-ring	1
6	Spring	1
7	O-ring	1
8	Screw Nut	1
9	Spring	1
10	Valve	1
11	Nut	4
12	Cushion	4
13	Clamp	1
14	Trigger	1
15	Pin	1
16	Gasket	1
17	Speed Control Block	1
18	Pin	2
19	Speed Vane	8
20	Speed Controller	1

Part No.	Description	Qty.
21	Spring	1
22	Bolt	1
23	Bolt	1
24	Bearing	1
25	Breair Plate	1
26	Rotor Blade	4
27	Rotor	1
28	Pin	2
29	Cylinder	1
30	Front Plate	1
31	Bearing	1
32	Bearing	1
33	Gear	1
34	Clamp	1
35	Sheath	1
36	Main Housing	1
37	Screw	1
38	Nut	1
39	Handle	1
40	Dust Cover	1

Part No.	Description	Qty.
41	Nut	1
42	Cushion	1
43	Bearing	1
44	Clamp	1
45	Wave Washer	1
46	Bevel Gear	1
47	Bearing	1
48	woodruf key	1
49	Spindle	1
50	Locking Ring	1
51	Nut	1
52	Metal guard	1
53	Cover	1
54	Plate	1
55	Nut	1
56	Dead head wrench	1
57	Pin wrench	1
58	Hex key	1